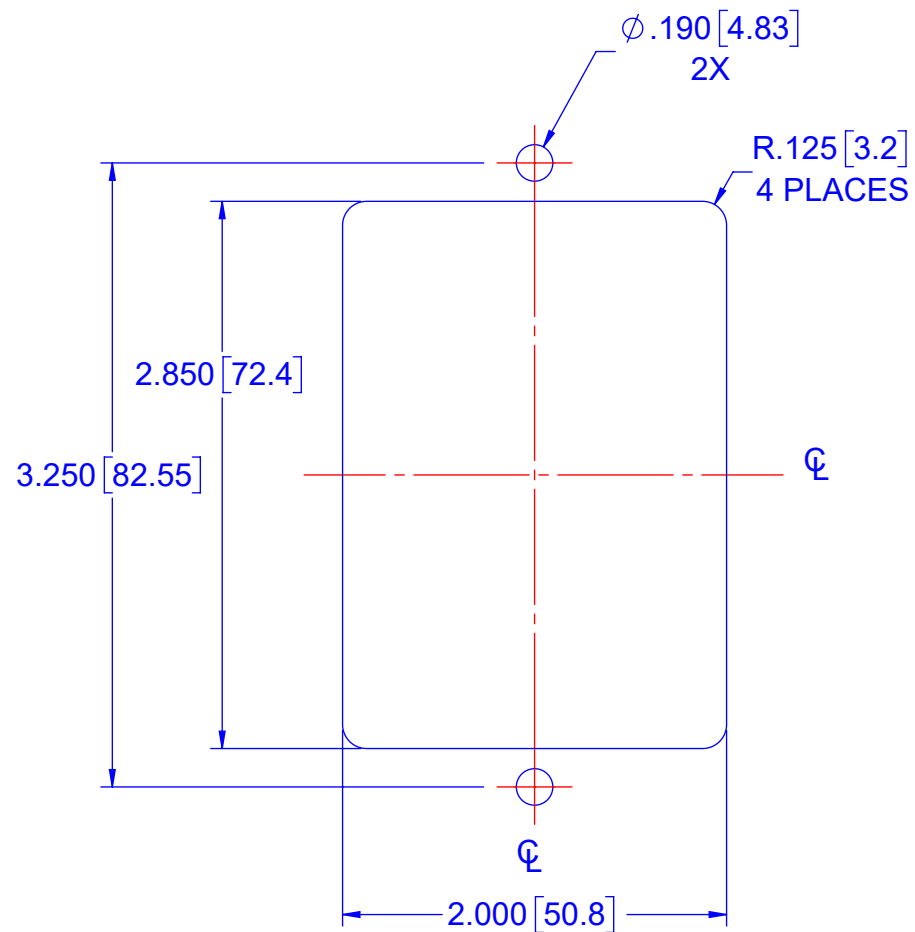


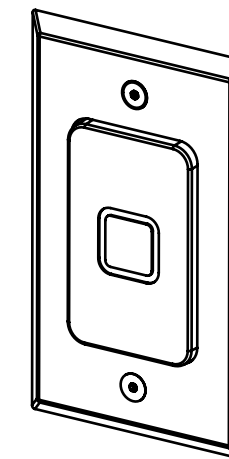


2023-08-25



FLUSH ELEVATOR
SAFLOK MOUNT

FLUSH ELEVATOR /PARKING
KEYSCAN MOUNT



FLUSH ELEVATOR SAFLOK MOUNT

FLUSH ELEVATOR /PARKING KEYSCAN MOUNT

WARNING

- Always validate that you have selected the correct template for specific lock model being installed. [The same lock model can be offered with different locking device options.]
- Always validate after printing to confirm the dimensions listed on the drawing have printed on a 1:1 scale.
- If you have any questions, please contact your local sales representative or authorized reseller.

DO NOT REPRODUCE
CONTACT CUSTOMER SUPPORT
1-800-906-4526

DRAWN BY / DESSINÉ PAR: K.PRANJIC 2023-08-07		dormakaba Canada Inc. 7301, boul. Décarie Montréal, QC, Canada, H4P 2G7	
APPROVED BY / APPROUVÉ PAR: C.DOUCET 2023-08-07		TITLE / TITRE: DRILLING TEMPLATE FLUSH ELEVATOR SAFLOK MOUNT	
www.dormakaba.com		DWG NO / NO. DESSIN: DT-515142-3	
UNE VERSION FRANCAISE DE CE DOCUMENT EST DISPONIBLE SUR DEMANDE.		SHEET / FEUILLE: 1 / 1	
		REVISION: 1	

2023-08-25 11:25:30 AM